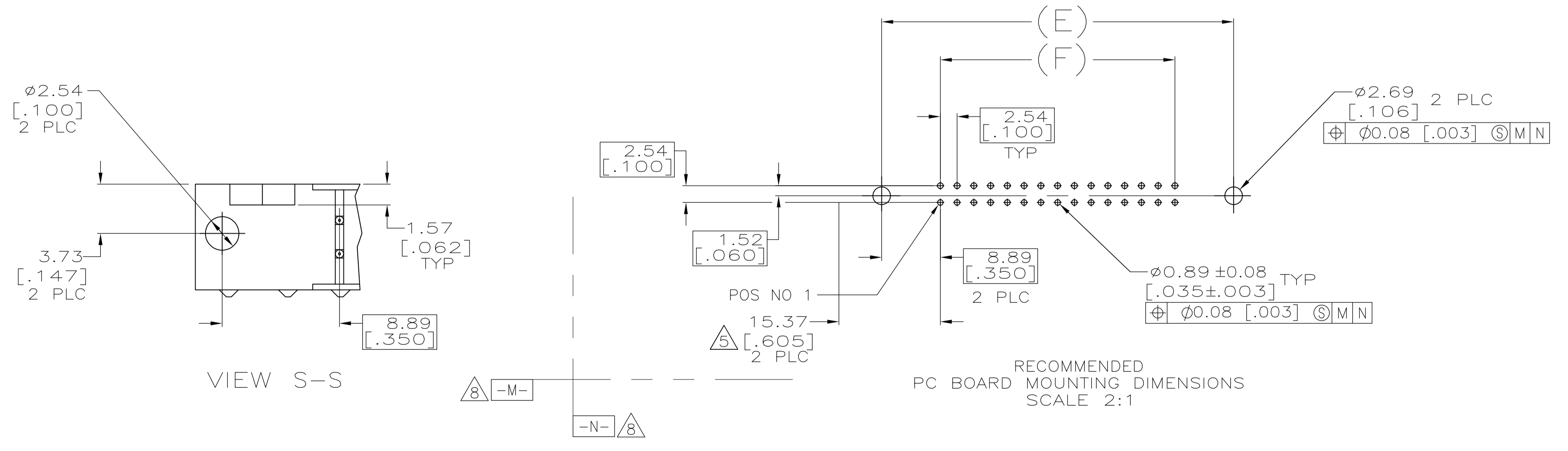
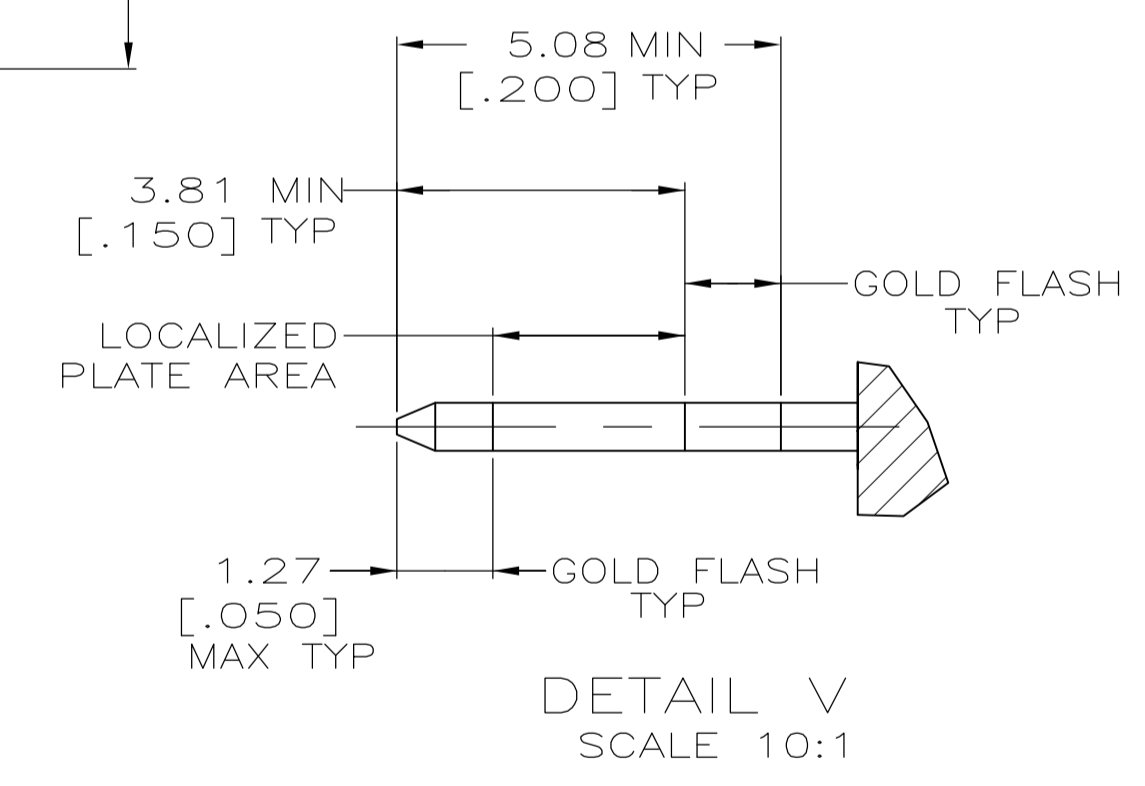
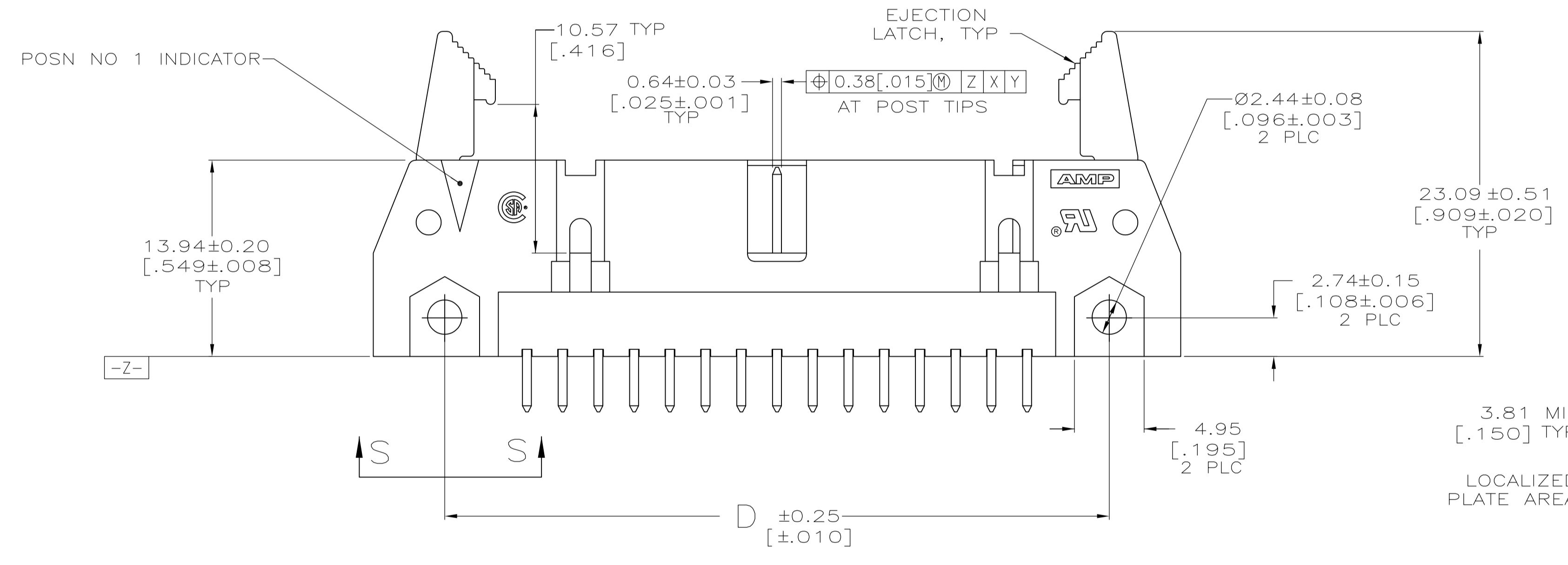
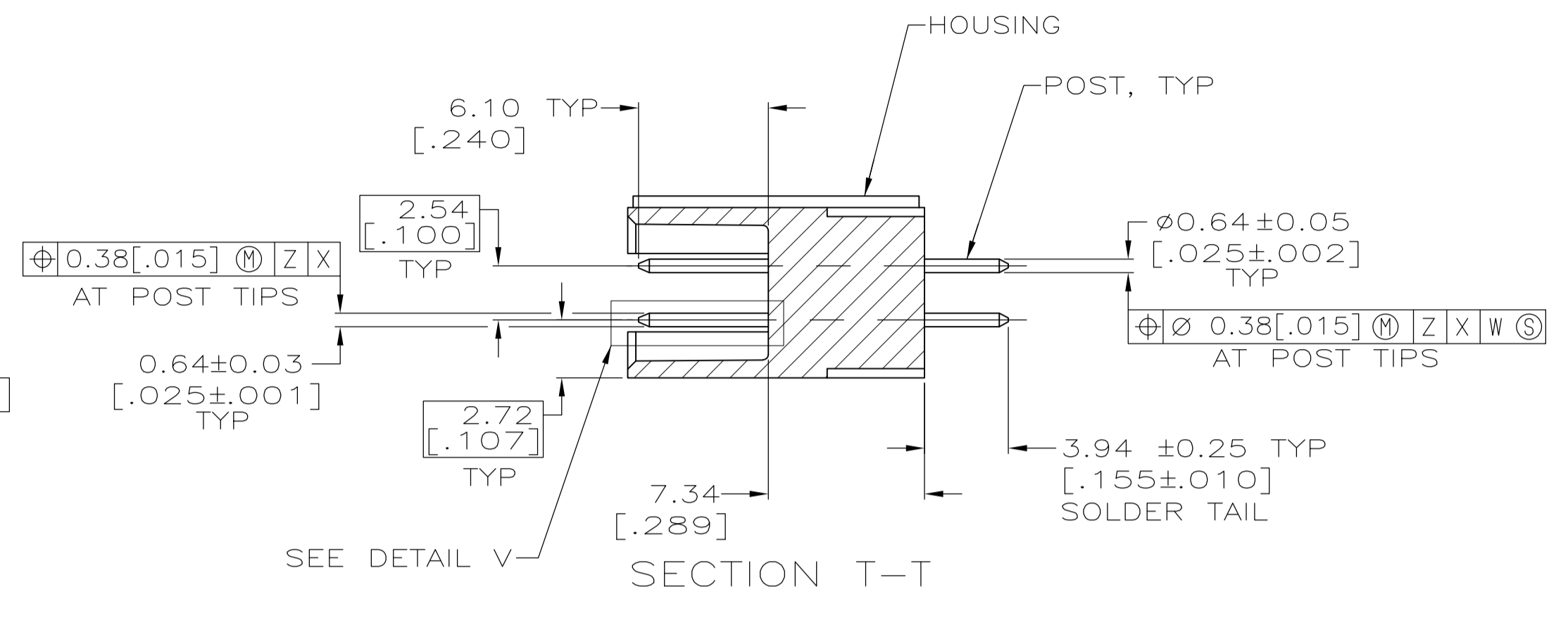
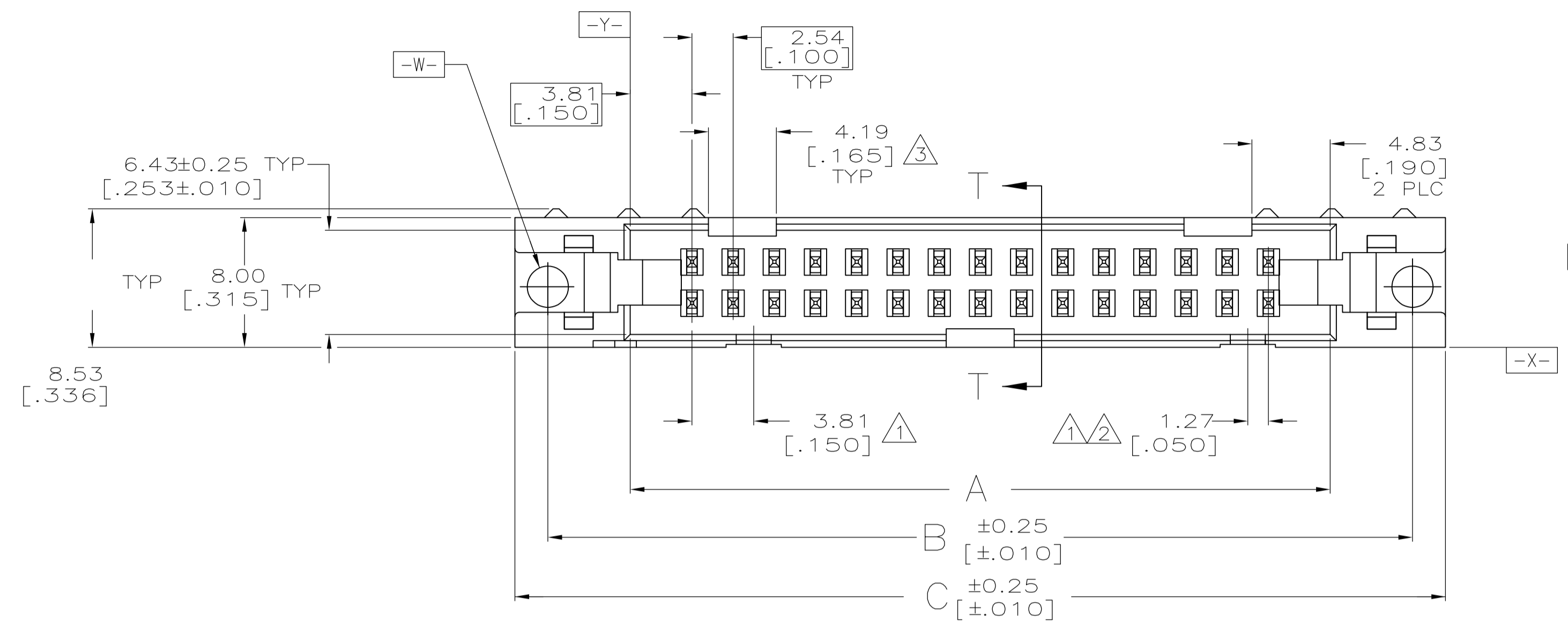


EJECTION LATCHES OMITTED IN THIS VIEW FOR CLARITY



SEE SHEET 2 FOR TABLE & NOTES

THIS DRAWING IS A CONTROLLED DOCUMENT.		DIN L VAERELA - 01-07-05 DOCK5	<b>STE</b> TE Connectivity	
DIMENSIONS: mm [INCHES]		CHK S BOLASH 01-07-05	NAME	
TOLERANCES UNLESS OTHERWISE SPECIFIED:		APPD M WALMSLEY 01-07-05	PRODUCT SPEC	
0 PLC ± -	1 PLC ± -	108-40018		
2 PLC ± 0.13[.005]	3 PLC ± -	APPLICATION SPEC		
4 PLC ± -	ANGLES ± -	SIZE CASE CODE DRAWING NO		
MATERIAL		WEIGHT	A1 00779	5499374
FINISH		CUSTOMER DRAWING		
		SCALE 4:1	SHEET 1 OF 2	REV D1

- ① COORDINATE DIMENSION APPLIES FROM BASIC LOCATION.
- ② 10 AND 14 POSITION SIZES CONTAIN ONLY ONE SLOT FOR SNAP-IN POLARIZER (MILITARY POLARIZATION) LOCATED AS SHOWN.
- ③ 10 POSITION SIZES CONTAIN ONLY ONE SLOT FOR DUAL POLARIZATION, LOCATED AS SHOWN.
- 4. RECOMMENDED PRINTED CIRCUIT BOARD THICKNESS IS 3.18 [.125].
- ⑤ DISTANCE REQUIRED BY EJECTION LATCHES IN THE OPEN POSITION.
- ⑥ MATERIAL: HOUSING & LATCHES: GLASS FILLED NYLON OR POLYESTER, UL94V-0 RATED, SEE TABLE FOR COLOR. POSTS: PH BRZ OR BRASS.
- ⑦ POSTS: GOLD FLASH OVER PALLADIUM-NICKEL PLATE, 0.76 $\mu$ m[.000030] MIN TOTAL ON THE LOCALIZED PLATE AREA, 2.54 $\mu$ m[.000100] MIN TIN PLATE ON THE SOLDER-TAIL, 1.27 $\mu$ m[.000050] MIN NICKEL UNDERPLATE ON THE ENTIRE POST.  
-OR-  
0.76 $\mu$ m[.000030] MIN GOLD PLATE ON THE LOCALIZED PLATE AREA, 2.54 $\mu$ m[.000100] MIN TIN PLATE ON THE SOLDER-TAIL, 1.27 $\mu$ m[.000050] MIN NICKEL UNDERPLATE ON THE ENTIRE POST.
- ⑧ DATUMS -M- & -N- TO BE ESTABLISHED BY CUSTOMER.

	BLUE	78.74 [3.100]	96.52 [3.800]	90.42 [3.560]	100.58 [3.960]	96.52 [3.800]	86.36 [3.400]	64	3-5499374-2
	BLUE	73.66 [2.900]	91.44 [3.600]	85.34 [3.360]	95.50 [3.760]	91.44 [3.600]	81.28 [3.200]	60	3-5499374-1
	BLUE	60.96 [2.400]	78.74 [3.100]	72.64 [2.860]	82.80 [3.260]	78.74 [3.100]	68.58 [2.700]	50	3-5499374-0
OBSOLETE	BLUE	48.26 [1.900]	66.04 [2.600]	59.94 [2.360]	70.10 [2.760]	66.04 [2.600]	55.88 [2.200]	40	2-5499374-9
	BLUE	40.64 [1.600]	58.42 [2.300]	52.32 [2.060]	62.48 [2.460]	58.42 [2.300]	48.26 [1.900]	34	2-5499374-8
OBSOLETE	BLUE	30.48 [1.200]	48.26 [1.900]	42.16 [1.660]	52.32 [2.060]	48.26 [1.900]	38.10 [1.500]	26	2-5499374-6
OBSOLETE	BLUE	22.86 [.900]	40.64 [1.600]	34.54 [1.360]	44.70 [1.760]	40.64 [1.600]	30.48 [1.200]	20	2-5499374-4
	BLUE	17.78 [.700]	35.56 [1.400]	29.46 [1.160]	39.62 [1.560]	35.56 [1.400]	25.40 [1.000]	16	2-5499374-3
OBSOLETE	BLACK	73.66 [2.900]	91.44 [3.600]	85.34 [3.360]	95.50 [3.760]	91.44 [3.600]	81.28 [3.200]	60	1-5499374-1
	BLACK	60.96 [2.400]	78.74 [3.100]	72.64 [2.860]	82.80 [3.260]	78.74 [3.100]	68.58 [2.700]	50	1-5499374-0
	BLACK	48.26 [1.900]	66.04 [2.600]	59.94 [2.360]	70.10 [2.760]	66.04 [2.600]	55.88 [2.200]	40	5499374-9
	BLACK	40.64 [1.600]	58.42 [2.300]	52.32 [2.060]	62.48 [2.460]	58.42 [2.300]	48.26 [1.900]	34	5499374-8
	BLACK	30.48 [1.200]	48.26 [1.900]	42.16 [1.660]	52.32 [2.060]	48.26 [1.900]	38.10 [1.500]	26	5499374-6
	BLACK	27.94 [1.100]	45.72 [1.800]	39.62 [1.560]	49.78 [1.960]	45.72 [1.800]	35.56 [1.400]	24	5499374-5
	BLACK	22.86 [.900]	40.64 [1.600]	34.54 [1.360]	44.70 [1.760]	40.64 [1.600]	30.48 [1.200]	20	5499374-4
OBSOLETE	BLACK	17.78 [.700]	35.56 [1.400]	29.46 [1.160]	39.62 [1.560]	35.56 [1.400]	25.40 [1.000]	16	5499374-3
	BLACK	15.24 [.600]	33.02 [1.300]	26.92 [1.060]	37.08 [1.460]	33.02 [1.300]	22.86 [.900]	14	5499374-2
	BLACK	10.16 [.400]	27.94 [1.100]	21.84 [.860]	32.00 [1.260]	27.94 [1.100]	17.78 [.700]	10	5499374-1
	HOUSING AND LATCHES COLOR	F	E	D	C	B	A	NO OF POSN	PART NUMBER

THIS DRAWING IS A CONTROLLED DOCUMENT.		DIN L. VAERELA - 01-07-05 DOCKS		S. BOLASH 01-07-05		M. WALMSLEY 01-07-05		NAME		TE Connectivity	
DIMENSIONS: INCHES		TOLERANCES UNLESS OTHERWISE SPECIFIED:		0 PLC ± -		1 PLC ± -		2 PLC ± 0.13[.005]		PRODUCT SPEC	
3 PLC ± -		4 PLC ± -		ANGLES ± -		APPLICATION SPEC		SIZE		RESTRICTED TO	
MATERIAL SEE SHEET 1		FINISH SEE SHEET 1		WEIGHT		A1 00779		DRAWING NO. 5499374		SHEET 2 OF 2	
CUSTOMER DRAWING		SCALE 4:1		REV D1							